

FIG. 14 DETECTOR BRACKET AND SECONDARY BEAM CONDITIONERS			
-1	BEAMTUNNEL TOP REMOVABLE	-10	SCREW FOR FIXING THE DETECTOR
-2	BEAMTUNNEL	-11	SCREW
-3	SAFETY LIMIT SWITCH	-12	PRE-ALIGNED KEY
-4	TUBE	-13	DETECTOR BRACKET
-5	HORIZONTAL SLIT	-14	COVER PLATE
-6	ATTENUATION FILTER	-15	SCREW
-7	L.V. AND SIGNAL CONNECTOR	-16	APERTURE/FILTER UNIT
-8	H.V. CONNECTOR	-17	WINDOW
-9	SCINTILLATION COUNTER		

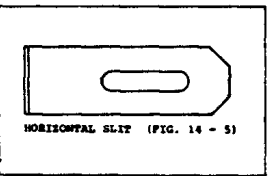
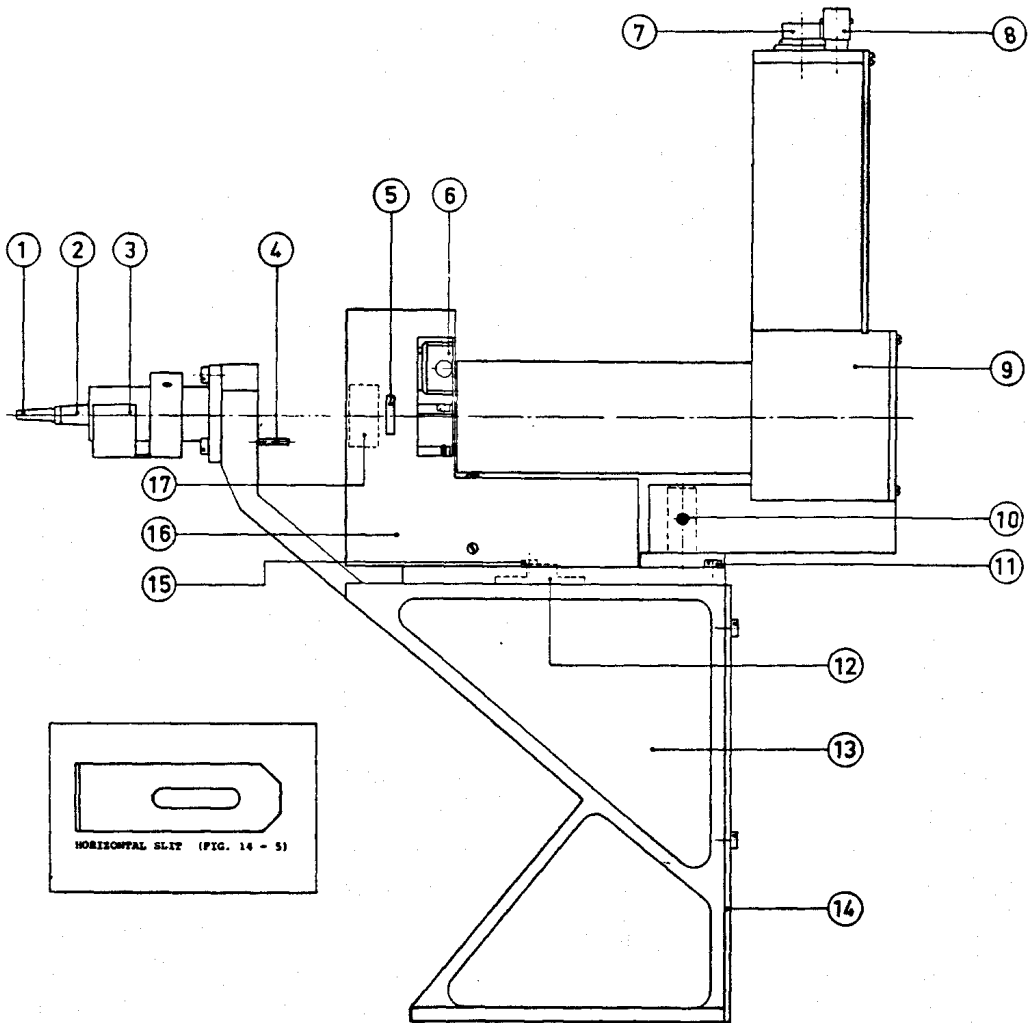


FIG. 15 ATTENUATION FILTER



FIG. 16 EXTENSION ARM FOR SCINTILLATION COUNTER

- 1 POSITIONING PIN
- 2 POSITIONING PIN
- 3 EXTENSION ARM
- 4 PRE-ALIGNED KEY FOR EXTENDED CRYSTAL TO DETECTOR DISTANCE

