

FIG. 7 GRAPHITE CRYSTAL MONOCHROMATOR.

- 1 THETA MONOCHROMATOR INDEX.
- 2 COARSE THETA ANGLE FOR MOLYBDENUM RADIATION.
- 3 SLUCE PIECE.
- 4 SPRING.
- 5 HEIGHT ADJUSTMENT TO COMPENSATE DIFFERENCE IN PENETRATION BETWEEN DIFFERENT TYPES OF RADIATION.
- 6 SPRING.
- 7 THETA FINE ADJUSTMENT.
- 8 COARSE THETA ANGLE FOR COPPER RADIATION.

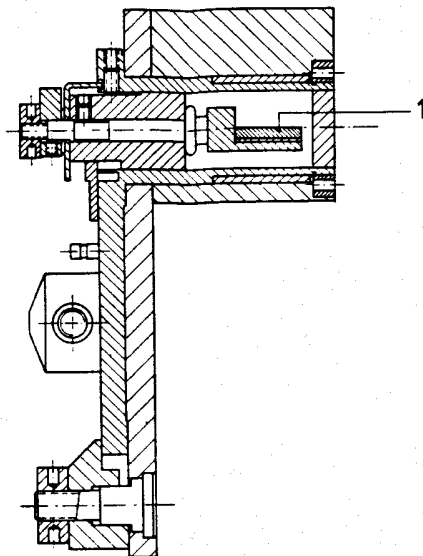


FIG. 8 MONOCHROMATOR CROSS SECTION.

- 1 GRAPHITE CRYSTAL.

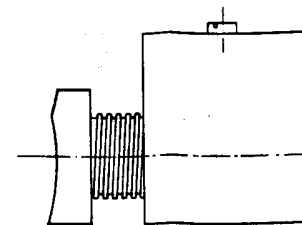


FIG. 9 MONOCHROMATOR SUBSTITUTION BLOCK

FIG. 11 COLLIMATORS

- 1 LENGTH 71 MM FOR REGULAR COLLIMATORS.
LENGTH 98 MM FOR PROTEIN COLLIMATORS.
- 2 POSITIONING PIN.
- 3.1 IDENTIFICATION FINE FOCUS (8 X 0.4 MM) Part number:

<u>REGULAR</u> COLLIMATORS.		
1 RING	BEAM DIAMETER 0.4 MM, STANDARD ITEM	0538.332
2 RINGS	BEAM DIAMETER 0.8 MM, STANDARD ITEM	0538.334
3 RINGS	BEAM DIAMETER 1.3 MM, STANDARD ITEM	0538.336
4 RINGS	BEAM DIAMETER 0.2 MM, OPTION	0538.331
5 RINGS	BEAM DIAMETER 0.6 MM, OPTION	0538.333
6 RINGS	BEAM DIAMETER 1.0 MM, OPTION	0538.335
- 3.2 IDENTIFICATION FINE FOCUS (18 X 0.4 MM)

<u>PROTEIN</u> COLLIMATORS, ONLY AVAILABLE ON SPECIAL REQUEST WITH LONG DELIVERY TIMES.		
1 RING	BEAM DIAMETER 0.4 MM, OPTION	0538.402
2 RINGS	BEAM DIAMETER 0.8 MM, OPTION	0538.404
3 RINGS	BEAM DIAMETER 1.3 MM, OPTION	0538.406
4 RINGS	BEAM DIAMETER 0.2 MM, SPECIAL OPTION	0538.401
5 RINGS	BEAM DIAMETER 0.6 MM, SPECIAL OPTION	0538.403
6 RINGS	BEAM DIAMETER 1.0 MM, SPECIAL OPTION	0538.405
- 4 COLLIMATOR.

-5.1 IDENTIFICATION <u>NORMAL FOCUS</u> (10 X 1 MM)		
<u>REGULAR</u> COLLIMATORS.		
1 RING	BEAM DIAMETER 0.8 MM, STANDARD ITEM	0538.340
2 RINGS	BEAM DIAMETER 1.3 MM, STANDARD ITEM	0538.342
3 RINGS	BEAM DIAMETER 0.2 MM, OPTION	0538.337
4 RINGS	BEAM DIAMETER 0.4 MM, OPTION	0538.338
5 RINGS	BEAM DIAMETER 0.6 MM, OPTION	0538.339
6 RINGS	BEAM DIAMETER 1.0 MM, OPTION	0538.341
- 5.2 NO NORMAL FOCUS-PROTEIN COLLIMATORS AVAILABLE.
- 6 PINHOLE 1 PIECE.
ALIGNMENT ACCESSORY 1 PIECE.

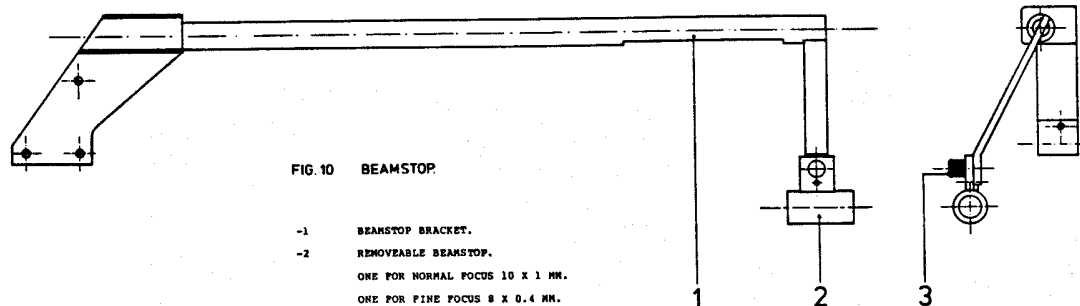


FIG. 10 BEAMSTOP.

- 1 BEAMSTOP BRACKET.
- 2 REMOVEABLE BEAMSTOP.
ONE FOR NORMAL FOCUS 10 X 1 MM.
ONE FOR FINE FOCUS 8 X 0.4 MM.
- 3 GRUB SCREW.

